

# Cable Termination

## Cord End Terminals

**• Materials:**

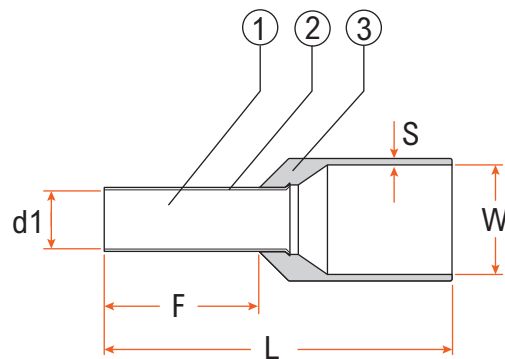
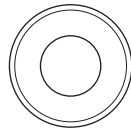
Conductor: Copper.  
Insulation: Nylon.  
Plating: Tin.

**• Operating Temperature:**

-40°C to +105°C.

**• Features:**

Max. voltage rating: 600V.  
Flared barrel for easy wire insertion.  
(A suffix on Item No. denotes French type colour coding system)  
(B/D/E suffix on Item No. denotes German type colour coding system)

**Material**

- ① Copper
- ② Tin
- ③ Nylon

See product technical table  
on next page

# Cable Termination

## Cord End Terminals

Item No.	Colour	Wire Range (mm <sup>2</sup> )	Dimensions (mm)				
			d1	W	L	F	S
CE0.25A	Violet	0.25	0.8	2.0	10.4	6.0	0.3
CE0.25B	Light Blue	0.25	0.8	2.0	10.4	6.0	0.3
CE0.34A	Pink	0.34	0.8	2.0	10.4	6.0	0.3
CE0.5A	White	0.50	1.0	2.6	14.0	8.0	0.3
CE0.5B	Orange	0.50	1.0	2.6	14.0	8.0	0.3
CE0.75A	Blue	0.75	1.2	2.8	14.0	8.0	0.3
CE0.75B	White	0.75	1.2	2.8	14.0	8.0	0.3
CE0.75D	Grey	0.75	1.2	2.8	14.0	8.0	0.3
CE1.0A	Red	1.0	1.4	3.0	16.0	8.0	0.3
CE1.0B	Yellow	1.0	1.4	3.0	16.0	8.0	0.3
CE1.5A	Black	1.5	1.7	3.5	14.0	8.0	0.3
CE1.5B	Red	1.5	1.7	3.5	14.0	8.0	0.3
CE2.5A	Grey	2.5	2.3	4.2	15.0	8.0	0.3
CE2.5B	Blue	2.5	2.3	4.2	15.0	8.0	0.3
CE2.5D	Orange	2.5	2.3	4.2	15.0	8.0	0.3
CE4.0A	Orange	4.0	2.8	4.8	16.0	9.0	0.4
CE4.0B	Grey	4.0	2.8	4.8	16.0	9.0	0.4
CE6.0A	Green	6.0	3.5	6.0	22.0	12.0	0.4
CE6.0B	Black	6.0	3.5	6.0	22.0	12.0	0.4
CE6.0D	Yellow	6.0	3.5	6.0	22.0	12.0	0.4
CE10.0A	Brown	10.0	4.5	7.4	22.0	12.0	0.5
CE10.0B	Ivory	10.0	4.5	7.4	22.0	12.0	0.5
CE10.0D	Red	10.0	4.5	7.4	22.0	12.0	0.5
CE16.0A	Ivory	16.0	5.8	8.8	22.0	12.0	0.5
CE16.0B	Green	16.0	5.8	8.8	22.0	12.0	0.5
CE16.0D	Blue	16.0	5.8	8.8	22.0	12.0	0.5
CE16.0E	Yellow	16.0	5.8	8.8	22.0	12.0	0.5
CE25.0A	Black	25.0	7.5	11.0	28.0	16.0	0.5
CE25.0B	Brown	25.0	7.5	11.0	28.0	16.0	0.5
CE25.0D	Yellow	25.0	7.5	11.0	28.0	16.0	0.5
CE35.0A	Red	35.0	8.3	12.7	30.0	16.0	0.5
CE35.0B	Beige	35.0	8.3	12.7	30.0	16.0	0.5